

## Ball Valve, Plastic

### Construction

GEMÜ S717 is a 2/2-way plastic ball valve available in sizes DN 10 to 100. It is equipped with a plastic manual operator.

### Features

- Suitable for inert and corrosive\* liquid and gaseous media
- The union ended body enables the valve to be installed in the pipeline without additional components
- Ergonomic hand lever with non-slip rubber coating for safe operation

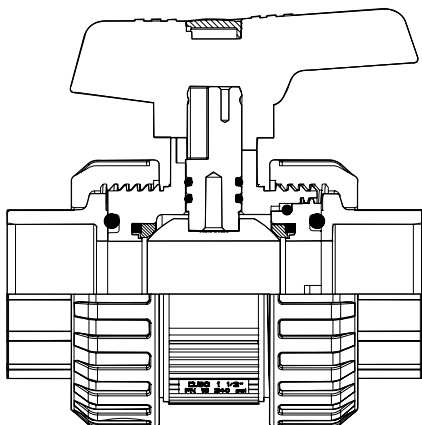
### Advantages

- Long life
- Reliable
- Simple to install

\* see information on working medium on page 2



Sectional view



## General technical data

### Working medium

Corrosive, inert, gaseous and liquid media which have no negative impact on the physical and chemical properties of the body and seal material.

Max. perm. pressure of working medium  
 PP-H 10 bar  
 PVC-U 16 bar

Approved for fluids of Group 2 in accordance with directive DGRL 97/23/EG Article 9, No. 2.2

Maximum permissible temperature of working medium see diagram

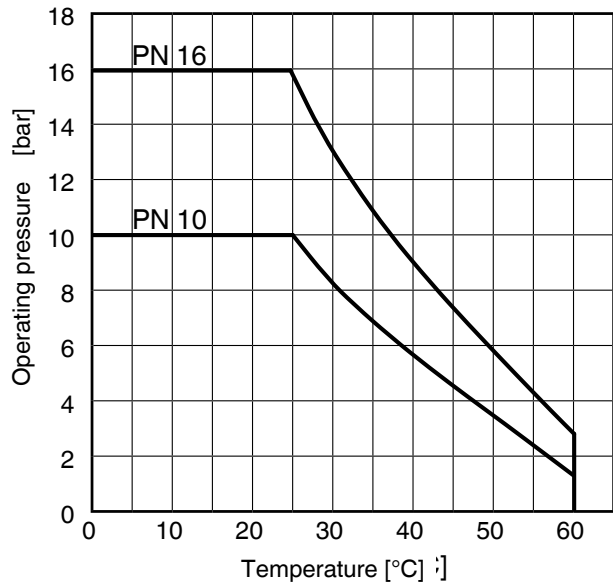
### Tightness

Tightness: EN 12266-1 / leakage rate A

### Torque / Kv value / Weight

DN	Torque [Nm]	Kv value [l/min]	Weight [kg]	
			PVC-U	PP-H
10	1.0	75	0.135	0.087
15	1.0	190	0.130	0.083
20	2.0	380	0.220	0.144
25	3.5	690	0.333	0.210
32	3.5	980	0.495	0.310
40	5.0	1600	0.730	0.464
50	14.0	3000	1.235	0.796
65	25.0	5500	2.116	-
80	45.0	6800	3.814	-
100	70.0	8500	8.020	-

### Operating pressure / Temperature



PN 16	PVC-U	DN 10 up to 50
PN 10	PVC-U	DN 65 up to 100
	PP-H	DN 10 up to 100

## Order data

1 Type	Code
Ball Valve, plastic, manually operated	S717

2 Nominal size	Code
DN 10 - 100	10 - 100

3 Body configuration	Code
2/2-way body	D

4 Connection	Code
Solvent cement/welded sockets DIN	2
Union ends with inch insert (socket)	33*
Union ends with DIN insert (IR butt welding)	78**
Union ends with Rp threaded socket insert	7R
*only valve body material: PVC-U (code 1)	
** PP insert	

5 Valve body material	Code
PVC-U, grey	1
PP-H	5

6 Seal material	Code
FPM	4
EPDM	14

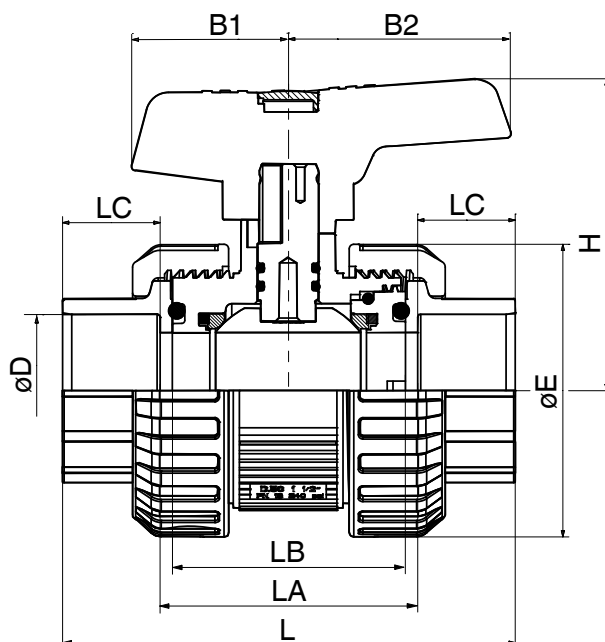
7 Control function	Code
Manually operated	0

8 Material seat ring	Code
PTFE	26
PE	80

9 K-No.	Code
Approved for fluids of Group 2 in accordance with directive DGRL 97/23/EG Article 9, No. 2.2	0121

Order example	1	2	3	4	5	6	7	8	K-No.
Code	S717	15	D	2	1	14	0	80	-

## Dimensions [mm]



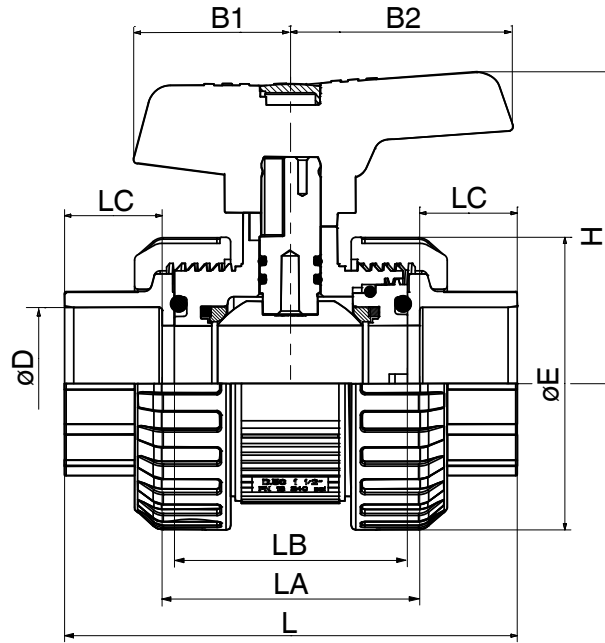
### Valve body material: PVC-U (code 1); connection (code 2, 33)

DN	D		B1	B2	E	L	LA	LB	LC	H
	Connection code									
	2	33								
10	16	3/8"	28	42	50	88	62	48	13	53
15	20	1/2"	28	42	50	88	56	48	16	53
20	25	3/4"	33	50	61	102	64	56	19	65
25	32	1"	38	60	70	123	79	66	22	73
32	40	1 1/4"	46	66	81	135	83	74	26	87
40	50	1 1/2"	52	73	96	150	88	77	31	104
50	63	2"	58	87	118	175	99	90	38	114
65	75	2 1/2"	66	105	146	218	130	117	44	136
80	90	3"	78	125	176	258	156	140	51	153
100	110	4"	148	148	228	365	239	198	63	183

### Valve body material: PP-H (code 5); connection (code 2, 7R)

DN	D		B1	B2	E	L	LA	LB	LC	H
	Connection code									
	2	7R								
10	16	Rp 3/8"	28	42	50	87	59	48	14	53
15	20	Rp 1/2"	28	42	50	87	55	48	16	53
20	25	Rp 3/4"	33	50	61	101	67	56	17	65
25	32	Rp 1"	38	60	70	122	84	66	19	73
32	40	Rp 1 1/4"	46	66	81	135	91	74	22	87
40	50	Rp 1 1/2"	52	73	96	149	99	77	25	104
50	63	Rp 2"	58	87	118	174	118	90	28	114

## Dimensions [mm]



Valve body material: PVC-U (code 1); connection (code 78)

DN	øD*	B1	B2	øE	L	LA	LB	LC	H
15	20	28	42	50	169	79	48	45	53
20	25	33	50	61	190	94	56	48	65
25	32	38	60	70	205	103	66	51	73
32	40	46	66	81	227	115	74	56	87
40	50	52	73	96	251	129	77	61	104
50	63	58	87	118	298	154	90	72	114
65	75	66	105	146	324	172	117	76	136
80	90	78	125	176	366	198	140	84	153
100	110	148	148	228	466	276	198	95	183

\* wall thickness incl.

For further ball valves, accessories and other products, please see our Product Range catalogue and Price List.  
Contact GEMÜ.

**GEMÜ**® VALVES, MEASUREMENT  
AND CONTROL SYSTEMS

