

Construction and Function

GEMÜ 1035 is a plastic union in sizes DN 65, 80 and 100, manufactured from PVC-U with adhesive sockets on both sides and an O-ring seal.

The plain socket together with the union nut are glued to the valve spigot, thereby allowing for easy removal of the valve from the pipeline. The O-ring, serving as a seal, can be supplied in EPDM or FPM, according to the medium.

Applications

The plastic union is particularly suitable for use where high protection against corrosion is necessary, e.g.:

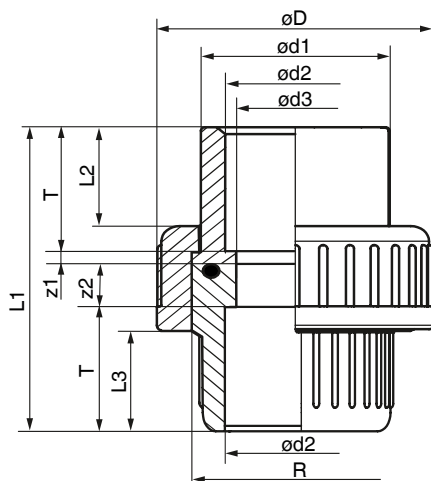
Water purification plants, washing and cleaning installations, food and foodstuff industries, the chemical industry, electro-plating and decontamination plants.

Advantages

- High impact resistant material
- The PVC-U material is food safe (tin reinforced)
- Time saving due to quick and easy assembly and dismantling of valves and flowmeters in the pipeline
- More compact design than that of the flange versions



Dimensions GEMÜ 1035 [mm]



DN	øD	ød1	ød2	ød3	L1	L2	L3	R	T	z1	z2
65	122	92,5	75	69	108	28	37	G3½	44	3	17
80	139	105	90	82	124	36	43	G4	51	5	43
100	164	130	110	102	138	42	45	G5	61	5	45

Technical data

Working medium

Corrosive, inert, gaseous and liquid media which have no negative impact on the physical and chemical properties of the body and diaphragm material.

Working medium temperature

Valve body PVC-U 10 ... 60 °C

The permissible operating pressure depends on the working medium temperature.

Ambient temperature

Valve body PVC-U 10 ... 50 °C

Operating pressure

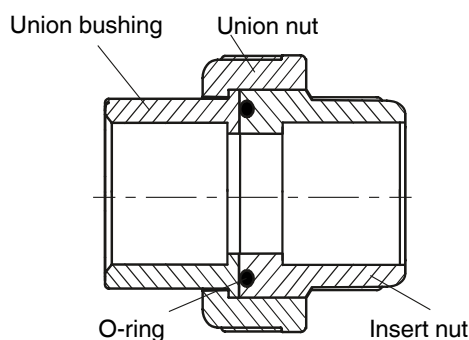
Operating pressure 0 - 10 bar

Pressure / temperature correlation

Temperature [°C]	10	20	25	30	40	50	60
Valve body material	Permissible operating pressure [bar]						
PVC-U	10.0	10.0	10.0	8.0	6.0	3.5	1.5

Material

Union	PVC-U
O-ring	FPM or EPDM



Order data

Body configuration

2/2-way body D

Connection

Union ends with DIN insert (socket) 7

Material

PVC-U, grey	1
ABS	4
PP, grey	5
PVDF	20

Seal material

O-ring, FPM	5
O-ring, EPDM	20

Order example	1035	65	D	7	1	14
Type	1035					
Nominal size		65				
Body configuration (code)			D			
Connection (code)				7		
Material (code)					1	
Seal material (code)						14